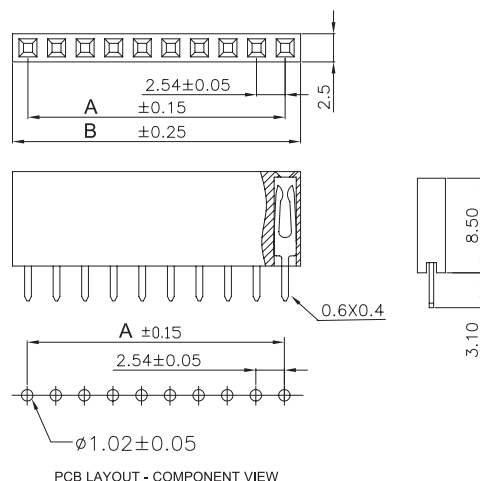
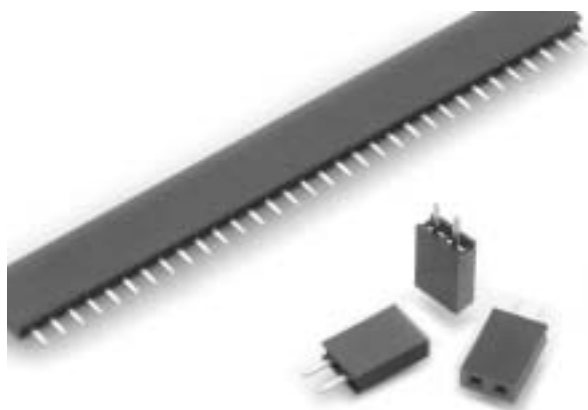


## 2.54mm Socket Header WR-PHD

01



### MATERIAL

- Insulator: PBT
- Flamability rating: UL94-V0
- Colour: Black
- Contact material: Copper alloy
- Contact type: Stamped
- Contact plating: Gold
- Quality class: 3 as per IEC 60 603-13
- Pitch: 2.54 mm

### ENVIRONMENTAL

- Operating temperature:  $-40\text{ °C}$  up to  $125\text{ °C}$
- Compliance: Lead free and RoHS

### ELECTRICAL

- Current rating: 3 A
- Working voltage: 250 VAC
- Insulation resistance:  $>1000\text{ MOhm}$
- Dielectric withstanding voltage: 500 Vac/mn
- Contact resistance: 20 mOhm max

### SOLDERING

- Solder temperature: JEDEC lead free wave soldering

### PACKAGING

- Tray



## 2.54mm Socket Header WR-PHD

01

Order Code	Pins	A (mm)	B (mm)
613 002 118 21	2	2.54	5.58
613 003 118 21	3	5.08	8.12
613 004 118 21	4	7.62	10.66
613 005 118 21	5	10.16	13.20
613 006 118 21	6	12.70	15.74
613 007 118 21	7	15.24	18.28
613 008 118 21	8	17.78	20.82
613 009 118 21	9	20.32	23.36
613 010 118 21	10	22.86	25.90
613 011 118 21	11	25.10	28.44
613 012 118 21	12	27.94	30.98
613 014 118 21	13	30.48	33.02
613 014 118 21	14	33.02	36.06
613 015 118 21	15	35.56	38.10
613 016 118 21	16	38.10	41.14
613 018 118 21	18	43.18	43.68
613 020 118 21	20	48.26	51.30
613 022 118 21	22	53.34	56.38
613 024 118 21	24	58.42	58.92
613 025 118 21	25	60.96	64.00
613 032 118 21	32	78.74	81.78
613 036 118 21	36	88.90	91.94
613 040 118 21	40	99.06	102.1