



GREEN ELECTRONICS



**CTM**

Terminal Blocks and Connectors for Printed Circuit Boards



ISO  
9001



ISO  
14001



BS OHSAS  
18001:2007



**SAUPI®**  
ELECTRONIC CONNECTORS

**Functional Characteristics**



**Dimensional Class:**  
Low



**Standard Colour:**  
Green



**Dimensions:**  
7.25 x 9.2 mm (.285 x .362 in)



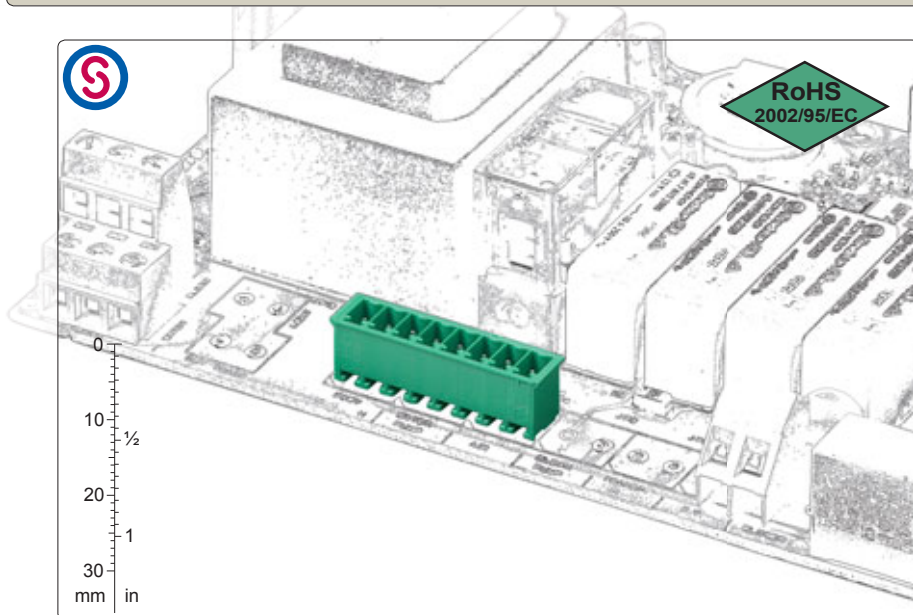
**Versions:**  
Modular,  
Polarized  
Locking Screw Flanges



**Single Mould Poles:**  
from 2 to 25 (Modular and Side Stackable)  
from 2 to 23 (Locking Screw Flanges)



**Pitches:**  
Metric 3.5 mm, 5 mm, 7 mm, 10mm  
(.138 in, .197 in, .275 in, .394 in)  
Imperial 3.81 mm, 5.08 mm, 7.62 mm, 10.16mm  
(.150 in, .200 in, .300 in, .400 in)



pitch 3.5/3.81 mm  
from 2 to 25 poles  
polarized  
straight version



pitch 3.5/3.81 mm  
from 2 to 25 poles  
modular  
straight version



pitch 5/5.08 mm  
from 2 to 3 poles  
modular  
straight version



pitch 3.5/3.81 mm  
from 2 to 23 poles  
locking screw flange  
straight version



pitch 3.5/3.81 mm  
from 2 to 6 poles  
polarized  
45° version



pitch 3.5/3.81 mm  
from 2 to 6 poles  
modular  
45° version



pitch 3.5/3.81 mm  
from 2 to 6 poles  
locking screw flange  
45° version



pitch 3.5/3.81 mm  
from 2 to 23 poles  
polarized  
90° version



pitch 3.5/3.81 mm  
from 2 to 23 poles  
locking screw flange  
90° version



CTM-LC1  
coding splines

**Brief Description**

The **CTM** male connector series is available in 3.5 mm (.138 in), 5 mm (.197 in) and 7 mm (.275 in) metric pitches and in 3.81 mm (.100 in), 5.08 (.200 in) and 7.62 mm (.300 in) Imperial pitches, in monolithic blocks from 2 to 25 poles, in side-stackable or modular versions, with the possibility of connecting the relative female connector parallel, inclined at 45° or vertical in relation to the PCB.

The **CTM** connector series for PCBs is characterized by an asymmetric profile, so mistakes are prevented when connections are made with the relative **CTF** and **CKF** female connectors. Further safety when connecting can be obtained by using the CTM-LC1 and CTF-SCI Coding Splines and Coding Clips (page 18 – 19)

It is possible to side-stack or assemble the basic modular connectors in order to obtain any number of poles without losing the pitch. By taking advantage of this particular characteristic a minimum stock of basic connectors can be kept.

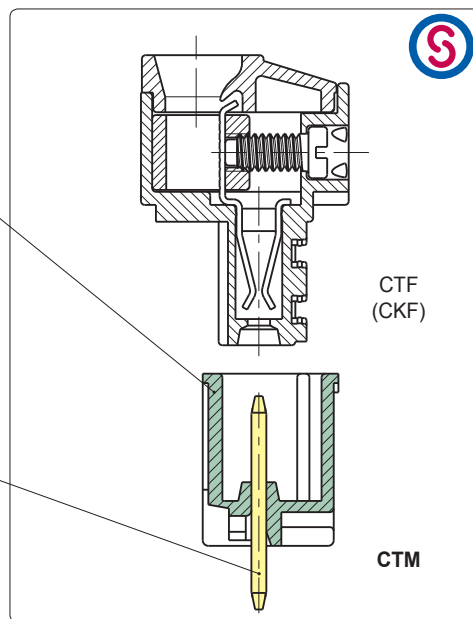
It is simple to manage the product, the warehouse and the assembly with the Kit packages because several versions can be received with only one code, the part-numbers are significantly reduced and the risk of making mistakes is also reduced.

**The CTM family is now available in pitches 5 and 5.08mm, see page 137.**

## Characteristics of Components

PA 6.6.Polyamide Housing.  
 Standard Colour: GREEN.  
 V0 Self-extinguishing according to UL 94.  
 Chlorinated solvents resistant,  
 with no Phosphor, Dioxin or  
 detrimental to health Halogens.

Easy to solder lead-free  
 tin-plated Copper Alloy Pin.



### Mechanical Characteristics

Insertion force per pole	max 3 N (max .674 lbf)
Withdrawal force per pole	min 1,5 N (min .337 lbf)
PCB thickness	max 2,4 mm (.094 in)
PCB hole diameter	1,2 mm (.043 in)
Operating temperature range	-40 °C ÷ +110 °C (-40 °F ÷ +230 °F)
Climatic category	40/110/21 According to EN 60068-1

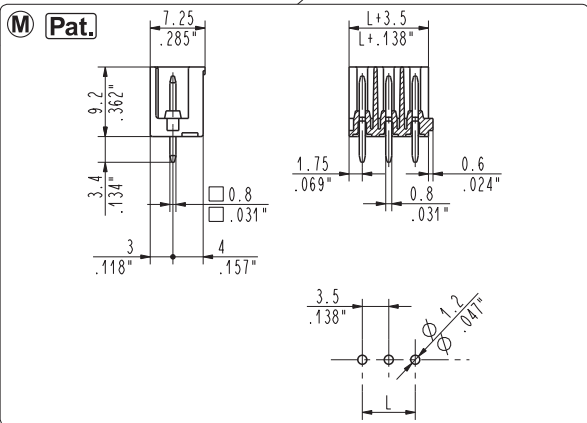
### Electric Characteristics\*

Rated voltage for 3.5 mm (.138 in) and 3.81 mm (.150 in) pitch	300 V (UL, CSA)*
Rated voltage for 5 mm (.197 in) and 5.08 mm (.200 in) pitch	300 V (UL, CSA)*
Rated voltage for 7 mm (.276 in) and 7.62 mm (.300 in) pitch	750 V (IMQ)*
Rated voltage for 10 mm (.394 in) and 10.16 mm (.400 in) pitch	750 V (CE)*
Rated current	13.5 A (IMQ)*
Contact resistance	<15 mΩ
Insulation resistance	>10 <sup>9</sup> Ω (500V DC)

\*All the a.m. data refer to the highest values amongst the certificated ones.  
 V voltage, I current values and tightening torque are related to the norms to be applied to the product and to its use.

### Approvals

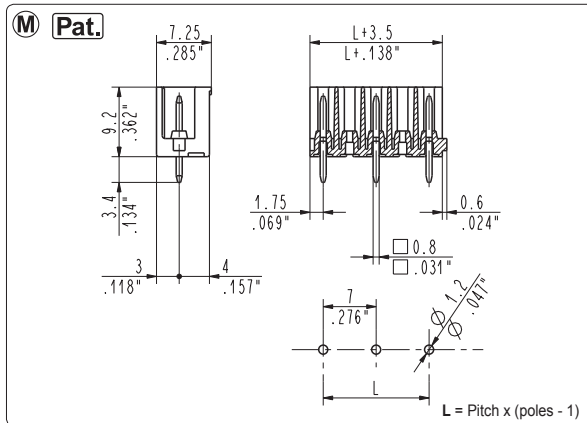
	CE:	130 V - T 110 - 13.5 A for 3.5 mm and 3.81 mm pitch
		250 V - T 110 - 13.5 A for 5 mm and 5.08 mm pitch
		750 V - T 110 - 13.5 A for 7 mm, 7.62 mm, 10 mm and 10.16mm pitch
	UL:	300 V - 11 A for 3.5 mm, 3.81 mm, 5 mm, 5.08 mm, 7 mm, 7.62 mm, 10 mm and 10.16 mm pitch
	File E167473	Application values for end-use equipment have to be in accordance to UL norms and applicable to it.
	CSA:	300 V - 11 A for 3.5 mm, 3.81 mm pitch
	File LR102896	450 V - 11 A for 7 mm and 7.62 mm pitch
	VDE:	130 V - 11 A - T 95 for 3.5 mm and 3.81 mm pitch
	File n. 40013398	250 V - 11 A - T 95 for 5 mm and 5.08 mm pitch
		450 V - 11 A - T 95 for 7 mm and 7.62 mm pitch
	IMQ:	130 V - T 110 - 13.5 A for 3.5 mm and 3.81 mm pitch
	CA02.00901	250 V - T 110 - 13.5 A for 5 mm and 5.08 mm pitch
		750 V - T 110 - 13.5 A for 7 mm and 7.62 mm pitch



**CTM\_0M8** Straight, Modular-Side Stackable Male

3.5 mm / .138" Pitch Weight per pole: 0.21 g

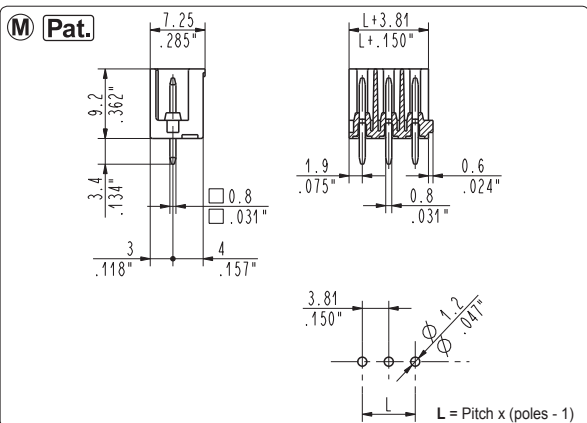
Poles	STD Code	Pcs/pack.	W [kg]*	Pcs/Ind.**	W [kg]*
02	CTM020M8	500	0,21	2000	0,84
03	CTM030M8	400	0,25	1750	1,10
04	CTM040M8	300	0,25	1500	1,26
05	CTM050M8	250	0,26	1500	1,58
06	CTM060M8	200	0,25	1250	1,58
07	CTM070M8	175	0,26	1250	1,84
08	CTM080M8	125	0,21	1000	1,68
09	CTM090M8	125	0,24	1000	1,89
10	CTM100M8	100	0,21	1000	2,10
11	CTM110M8	100	0,23	750	1,73
12	CTM120M8	75	0,19	750	1,89
13	CTM130M8	75	0,20	750	2,05
14	CTM140M8	100	0,29	750	2,21
15	CTM150M8	100	0,32	750	2,36
16	CTM160M8	100	0,34	750	2,52
17	CTM170M8	50	0,18	500	1,79
18	CTM180M8	50	0,19	500	1,89
19	CTM190M8	50	0,20	500	2,00
20	CTM200M8	50	0,21	500	2,10
21	CTM210M8	50	0,22	500	2,21
22	CTM220M8	50	0,23	500	2,31
23	CTM230M8	50	0,24	250	1,21
24	CTM240M8	50	0,25	250	1,26
25	CTM250M8	50	0,26	250	1,31



**CTM\_0M9** Straight, Modular-Side Stackable Male

7 mm / .276" Pitch Weight per pole: 0.26 g

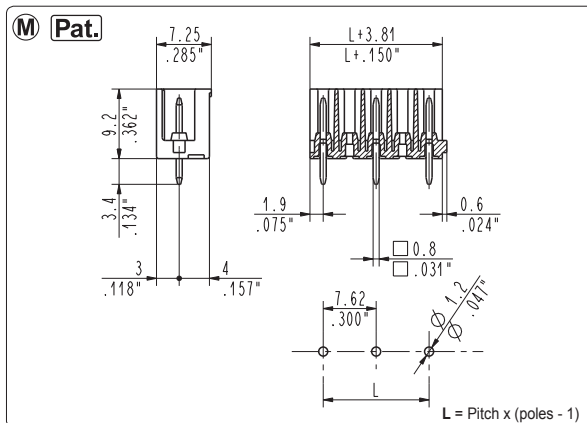
Poles	STD Code	Pcs/pack.	W [kg]*	Pcs/Ind.**	W [kg]*
01	CTM010M9	500	0,13	2000	0,52
02	CTM020M9	400	0,21	1750	0,91
03	CTM030M9	250	0,20	1500	1,17
04	CTM040M9	175	0,18	1250	1,30
05	CTM050M9	125	0,16	1000	1,30
06	CTM060M9	100	0,16	750	1,17
07	CTM070M9	100	0,18	750	1,37
08	CTM080M9	100	0,21	750	1,56
09	CTM090M9	50	0,12	500	1,17
10	CTM100M9	50	0,13	500	1,30
11	CTM110M9	50	0,14	500	1,43
12	CTM120M9	50	0,16	250	0,78
13	CTM130M9	50	0,17	250	0,85



**CTM\_0MT** Straight, Modular-Side Stackable Male

3.81 mm / .150" Pitch Weight per pole: 0.21 g

Poles	STD Code	Pcs/pack.	W [kg]*	Pcs/Ind.**	W [kg]*
02	CTM020MT	500	0,21	2000	0,84
03	CTM030MT	400	0,25	1750	1,10
04	CTM040MT	300	0,25	1500	1,26
05	CTM050MT	250	0,26	1500	1,58
06	CTM060MT	200	0,25	1250	1,58
07	CTM070MT	175	0,26	1250	1,84
08	CTM080MT	125	0,21	1000	1,68
09	CTM090MT	125	0,24	1000	1,89
10	CTM100MT	100	0,21	1000	2,10
11	CTM110MT	100	0,23	750	1,73
12	CTM120MT	75	0,19	750	1,89
13	CTM130MT	75	0,20	750	2,05
14	CTM140MT	100	0,29	750	2,21
15	CTM150MT	100	0,32	750	2,36
16	CTM160MT	100	0,34	750	2,52
17	CTM170MT	50	0,18	500	1,79
18	CTM180MT	50	0,19	500	1,89
19	CTM190MT	50	0,20	500	2,00
20	CTM200MT	50	0,21	500	2,10
21	CTM210MT	50	0,22	500	2,21
22	CTM220MT	50	0,23	500	2,31
23	CTM230MT	50	0,24	250	1,21
24	CTM240MT	50	0,25	250	1,26
25	CTM250MT	50	0,26	250	1,31



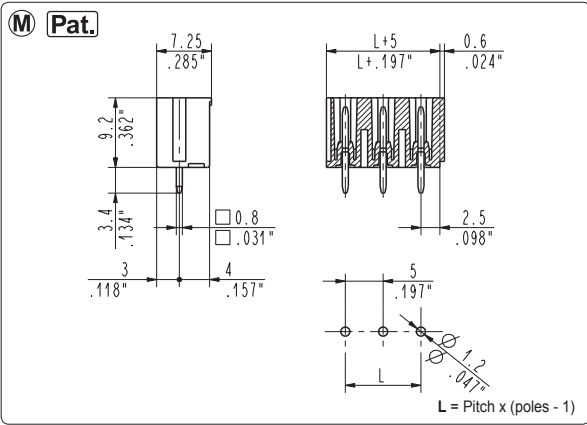
**CTM\_0M7** Straight, Modular-Side Stackable Male

7.62 mm / .300" Pitch Weight per pole: 0.26 g

Poles	STD Code	Pcs/pack.	W [kg]*	Pcs/Ind.**	W [kg]*
01	CTM010M7	500	0,13	2000	0,52
02	CTM020M7	400	0,21	1750	0,91
03	CTM030M7	250	0,20	1500	1,17
04	CTM040M7	175	0,18	1250	1,30
05	CTM050M7	125	0,16	1000	1,30
06	CTM060M7	100	0,16	750	1,17
07	CTM070M7	100	0,18	750	1,37
08	CTM080M7	100	0,21	750	1,56
09	CTM090M7	50	0,12	500	1,17
10	CTM100M7	50	0,13	500	1,30
11	CTM110M7	50	0,14	500	1,43
12	CTM120M7	50	0,16	250	0,78
13	CTM130M7	50	0,17	250	0,85

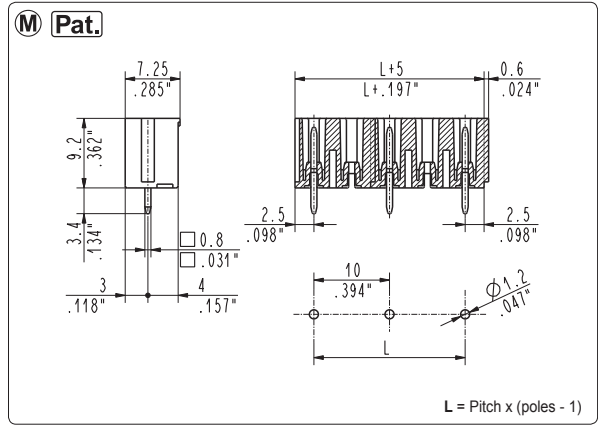
\*W [kg]: Approximate Weight per box in kg

\*\*Industrial packaging: add "-00000E" at standard code



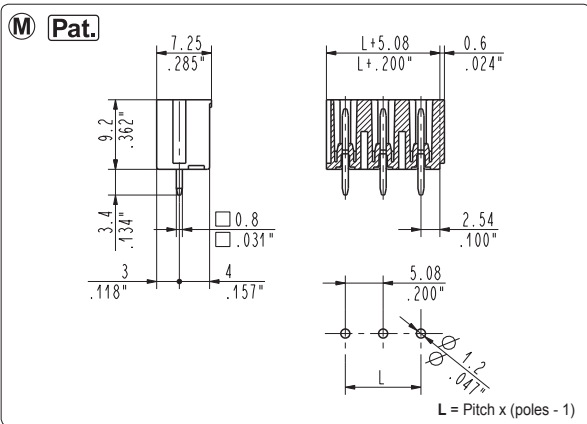
**CTM\_0M1** Straight, Modular-Side Stackable Male

5 mm / .197" Pitch		Weight per pole: 0.29 g			
Poles	STD Code	Pcs/pack.	W [kg]*	Pcs/Ind.**	W [kg]*
02	CTM020M1	400	0,23	2000	1,16
03	CTM030M1	250	0,22	1750	1,52



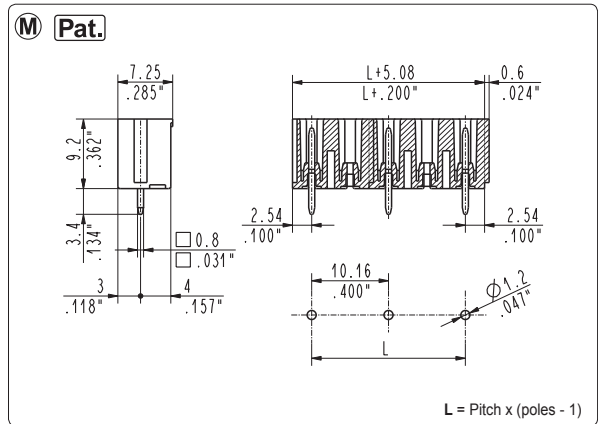
**CTM\_0M2** Straight, Modular-Side Stackable Male

10 mm / .394" Pitch		Weight per pole: 0.34 g			
Poles	STD Code	Pcs/pack.	W [kg]*	Pcs/Ind.**	W [kg]*
01	CTM010M2	400	0,14	2000	0,68
02	CTM020M2	250	0,17	1750	1,19



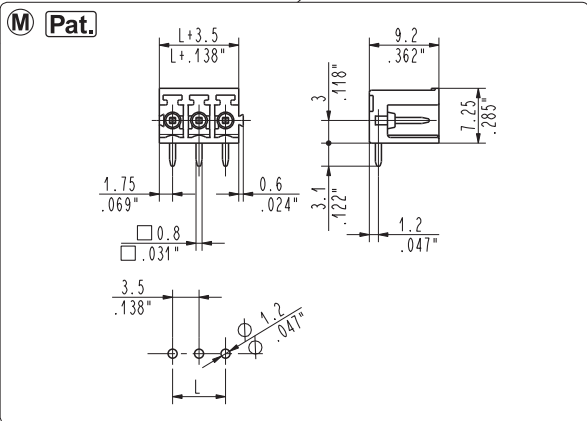
**CTM\_0M5** Straight, Modular-Side Stackable Male

5.08 mm / .200" Pitch		Weight per pole: 0.29 g			
Poles	STD Code	Pcs/pack.	W [kg]*	Pcs/Ind.**	W [kg]*
02	CTM020M5	400	0,23	2000	1,16
03	CTM030M5	250	0,22	1750	1,52



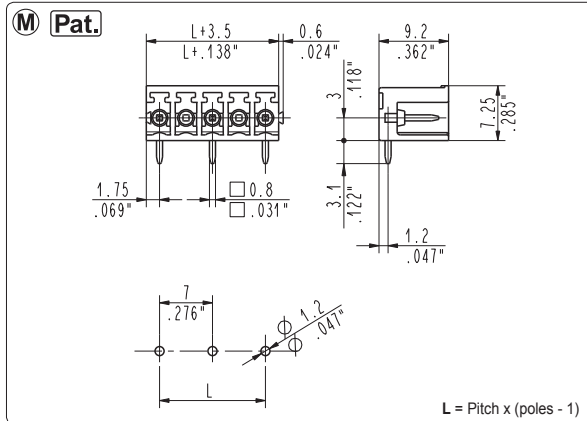
**CTM\_0M6** Straight, Modular-Side Stackable Male

10.16 mm / .400" Pitch		Weight per pole: 0.34 g			
Poles	STD Code	Pcs/pack.	W [kg]*	Pcs/Ind.**	W [kg]*
01	CTM010M6	400	0,14	2000	0,68
02	CTM020M6	250	0,17	1750	1,19



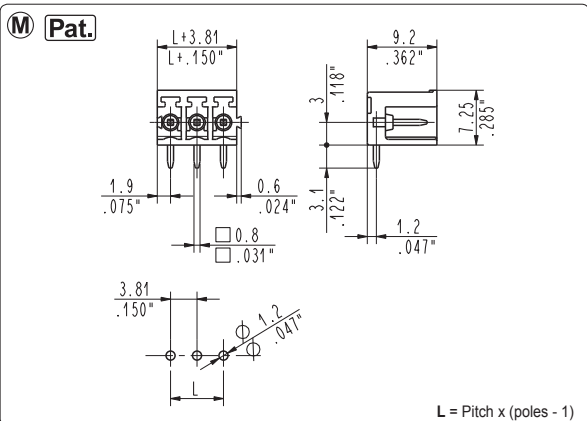
**CTM\_9M8 90°, Modular-Side Stackable Male**

3.5 mm / .138" Pitch		Weight per pole: 0.21 g			
Poles	STD Code	Pcs/pack.	W [kg]*	Pcs/Ind.**	W [kg]*
02	CTM029M8	500	0,21	2000	0,84
03	CTM039M8	400	0,25	1750	1,10
04	CTM049M8	300	0,25	1500	1,26
05	CTM059M8	250	0,26	1500	1,58
06	CTM069M8	200	0,25	1250	1,58
07	CTM079M8	175	0,26	1250	1,84
08	CTM089M8	125	0,21	1000	1,68
09	CTM099M8	125	0,24	1000	1,89
10	CTM109M8	100	0,21	1000	2,10
11	CTM119M8	100	0,23	750	1,73
12	CTM129M8	75	0,19	750	1,89
13	CTM139M8	75	0,20	750	2,05
14	CTM149M8	100	0,29	750	2,21
15	CTM159M8	100	0,32	750	2,36
16	CTM169M8	100	0,34	750	2,52
17	CTM179M8	50	0,18	500	1,79
18	CTM189M8	50	0,19	500	1,89
19	CTM199M8	50	0,20	500	2,00
20	CTM209M8	50	0,21	500	2,10
21	CTM219M8	50	0,22	500	2,21
22	CTM229M8	50	0,23	500	2,31
23	CTM239M8	50	0,24	250	1,21
24	CTM249M8	50	0,25	250	1,26
25	CTM259M8	50	0,26	250	1,31



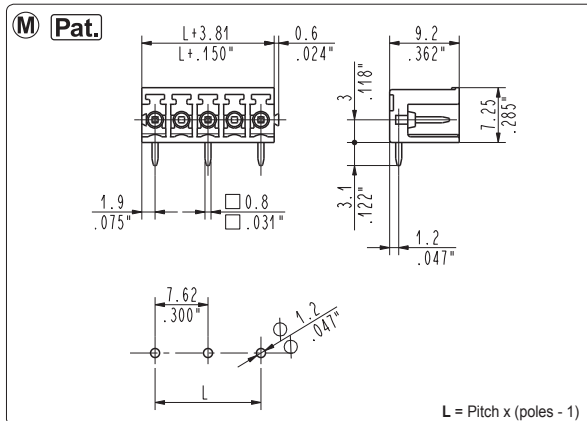
**CTM\_9M9 90°, Modular-Side Stackable Male**

7 mm / .276" Pitch		Weight per pole: 0.26 g			
Poles	STD Code	Pcs/pack.	W [kg]*	Pcs/Ind.**	W [kg]*
01	CTM019M9	500	0,13	2000	0,52
02	CTM029M9	400	0,21	1750	0,91
03	CTM039M9	250	0,20	1500	1,17
04	CTM049M9	175	0,18	1250	1,30
05	CTM059M9	125	0,16	1000	1,30
06	CTM069M9	100	0,16	750	1,17
07	CTM079M9	100	0,18	750	1,37
08	CTM089M9	100	0,21	750	1,56
09	CTM099M9	50	0,12	500	1,17
10	CTM109M9	50	0,13	500	1,30
11	CTM119M9	50	0,14	500	1,43
12	CTM129M9	50	0,16	250	0,78
13	CTM139M9	50	0,17	250	0,85



**CTM\_9MT 90°, Modular-Side Stackable Male**

3.81 mm / .150" Pitch		Weight per pole: 0.21 g			
Poles	STD Code	Pcs/pack.	W [kg]*	Pcs/Ind.**	W [kg]*
02	CTM029MT	500	0,21	2000	0,84
03	CTM039MT	400	0,25	1750	1,10
04	CTM049MT	300	0,25	1500	1,26
05	CTM059MT	250	0,26	1500	1,58
06	CTM069MT	200	0,25	1250	1,58
07	CTM079MT	175	0,26	1250	1,84
08	CTM089MT	125	0,21	1000	1,68
09	CTM099MT	125	0,24	1000	1,89
10	CTM109MT	100	0,21	1000	2,10
11	CTM119MT	100	0,23	750	1,73
12	CTM129MT	75	0,19	750	1,89
13	CTM139MT	75	0,20	750	2,05
14	CTM149MT	100	0,29	750	2,21
15	CTM159MT	100	0,32	750	2,36
16	CTM169MT	100	0,34	750	2,52
17	CTM179MT	50	0,18	500	1,79
18	CTM189MT	50	0,19	500	1,89
19	CTM199MT	50	0,20	500	2,00
20	CTM209MT	50	0,21	500	2,10
21	CTM219MT	50	0,22	500	2,21
22	CTM229MT	50	0,23	500	2,31
23	CTM239MT	50	0,24	250	1,21
24	CTM249MT	50	0,25	250	1,26
25	CTM259MT	50	0,26	250	1,31

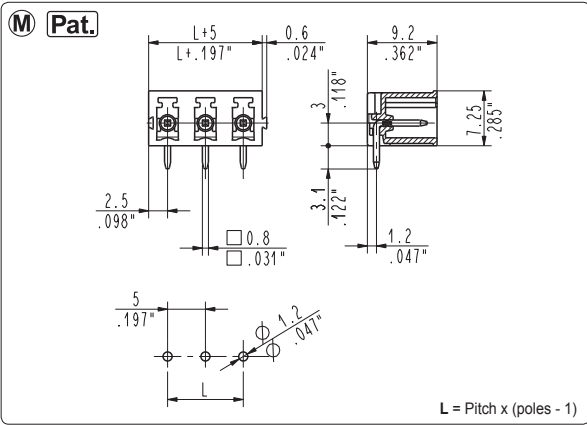


**CTM\_9M7 90°, Modular-Side Stackable Male**

7.62 mm / .300" Pitch		Weight per pole: 0.26 g			
Poles	STD Code	Pcs/pack.	W [kg]*	Pcs/Ind.**	W [kg]*
01	CTM019M7	500	0,13	2000	0,52
02	CTM029M7	400	0,21	1750	0,91
03	CTM039M7	250	0,20	1500	1,17
04	CTM049M7	175	0,18	1250	1,30
05	CTM059M7	125	0,16	1000	1,30
06	CTM069M7	100	0,16	750	1,17
07	CTM079M7	100	0,18	750	1,37
08	CTM089M7	100	0,21	750	1,56
09	CTM099M7	50	0,12	500	1,17
10	CTM109M7	50	0,13	500	1,30
11	CTM119M7	50	0,14	500	1,43
12	CTM129M7	50	0,16	250	0,78
13	CTM139M7	50	0,17	250	0,85

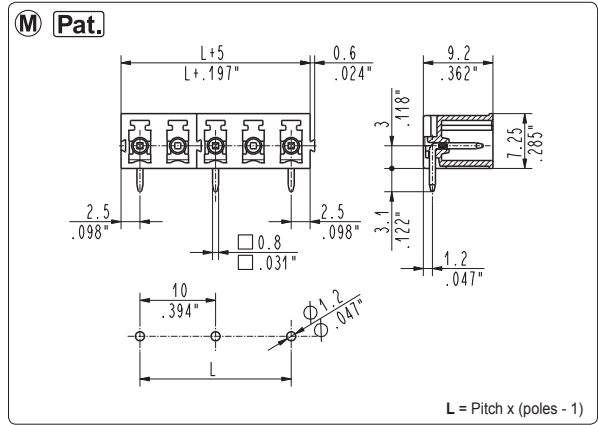
\*W [kg]: Approximate Weight per box in kg

\*\*Industrial packaging: add "-00000E" at standard code



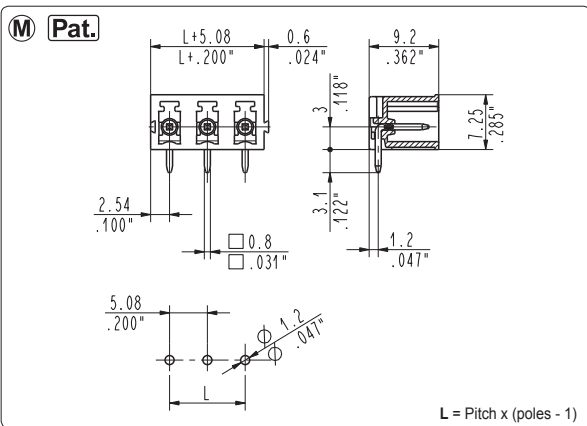
**CTM\_9M1 90°, Modular-Side Stackable Male**

5 mm / .197" Pitch		Weight per pole: 0.29 g			
Poles	STD Code	Pcs/pack.	W [kg]*	Pcs/Ind.**	W [kg]*
02	CTM029M1	400	0,23	2000	1,16
03	CTM039M1	250	0,22	1750	1,52



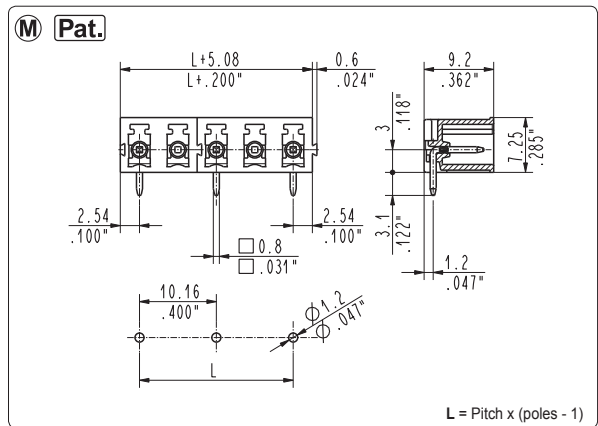
**CTM\_9M2 90°, Modular-Side Stackable Male**

10 mm / .394" Pitch		Weight per pole: 0.34 g			
Poles	STD Code	Pcs/pack.	W [kg]*	Pcs/Ind.**	W [kg]*
01	CTM019M2	400	0,14	2000	0,68
02	CTM029M2	250	0,17	1750	1,19



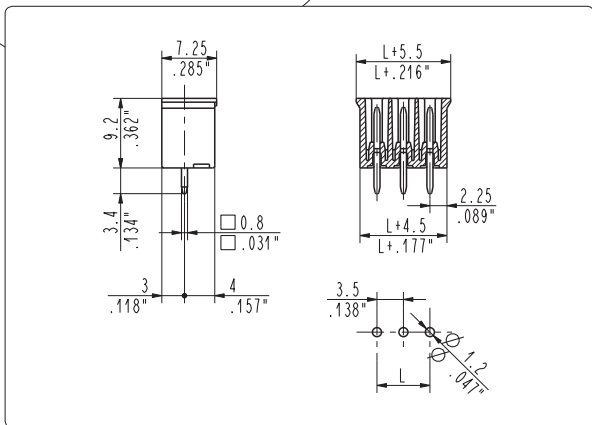
**CTM\_9M5 90°, Modular-Side Stackable Male**

5.08 mm / .200" Pitch		Weight per pole: 0.29 g			
Poles	STD Code	Pcs/pack.	W [kg]*	Pcs/Ind.**	W [kg]*
02	CTM029M5	400	0,23	2000	1,16
03	CTM039M5	250	0,22	1750	1,52



**CTM\_9M6 90°, Modular-Side Stackable Male**

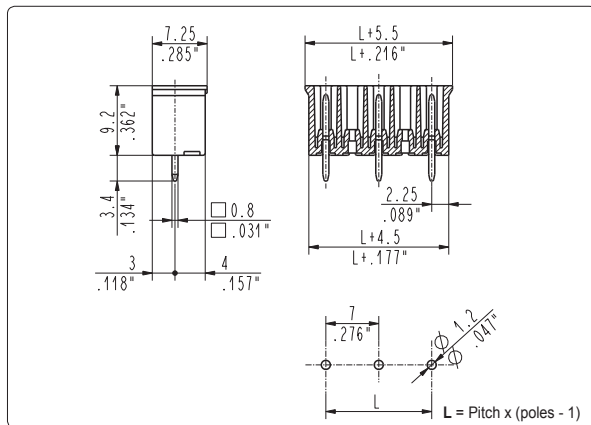
10.16 mm / .400" Pitch		Weight per pole: 0.34 g			
Poles	STD Code	Pcs/pack.	W [kg]*	Pcs/Ind.**	W [kg]*
01	CTM019M6	400	0,14	2000	0,68
02	CTM029M6	250	0,17	1750	1,19



**CTM\_0P8 Straight, Polarized Male**

3.5 mm / .138" Pitch Weight per pole: 0.26 g

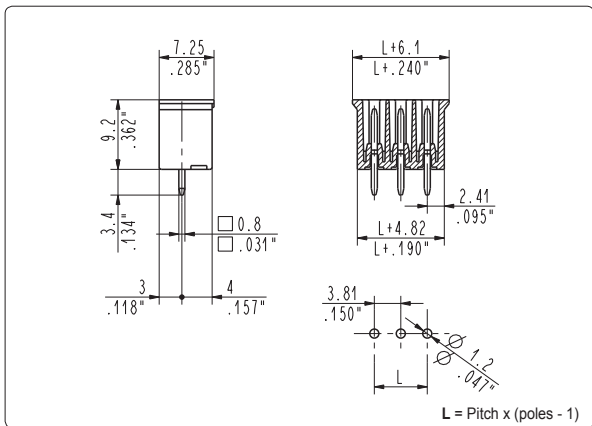
Poles	STD Code	Pcs/pack.	W [kg]*	Pcs/Ind.**	W [kg]*
02	CTM020P8	500	0,26	2000	1,04
03	CTM030P8	400	0,31	1750	1,37
04	CTM040P8	300	0,31	1500	1,56
05	CTM050P8	250	0,33	1500	1,95
06	CTM060P8	200	0,31	1250	1,95
07	CTM070P8	175	0,32	1250	2,28
08	CTM080P8	125	0,26	1000	2,08
09	CTM090P8	125	0,29	1000	2,34
10	CTM100P8	100	0,26	1000	2,60
11	CTM110P8	100	0,29	750	2,15
12	CTM120P8	75	0,23	750	2,34
13	CTM130P8	75	0,25	750	2,54
14	CTM140P8	100	0,36	750	2,73
15	CTM150P8	100	0,39	750	2,93
16	CTM160P8	100	0,42	750	3,12
17	CTM170P8	50	0,22	500	2,21
18	CTM180P8	50	0,23	500	2,34
19	CTM190P8	50	0,25	500	2,47
20	CTM200P8	50	0,26	500	2,60
21	CTM210P8	50	0,27	500	2,73
22	CTM220P8	50	0,29	500	2,86
23	CTM230P8	50	0,30	250	1,50
24	CTM240P8	50	0,31	250	1,56
25	CTM250P8	50	0,33	250	1,63



**CTM\_0P9 Straight, Polarized Male**

7 mm / .276" Pitch Weight per pole: 0.31 g

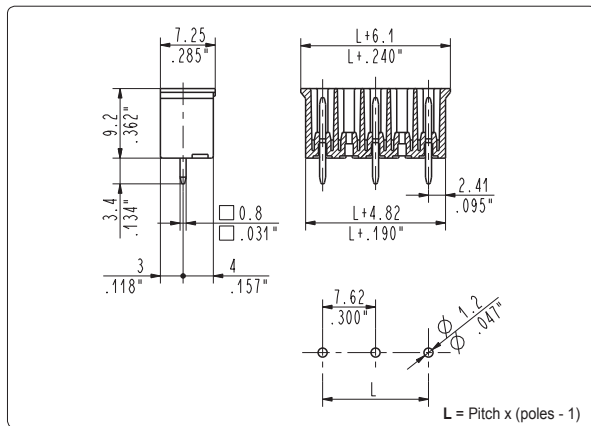
Poles	STD Code	Pcs/pack.	W [kg]*	Pcs/Ind.**	W [kg]*
02	CTM020P9	400	0,25	1750	1,09
03	CTM030P9	250	0,23	1500	1,40
04	CTM040P9	175	0,22	1250	1,55
05	CTM050P9	125	0,19	1000	1,55
06	CTM060P9	100	0,19	750	1,40
07	CTM070P9	100	0,22	750	1,63
08	CTM080P9	100	0,25	750	1,86
09	CTM090P9	50	0,14	500	1,40
10	CTM100P9	50	0,16	500	1,55
11	CTM110P9	50	0,17	500	1,71
12	CTM120P9	50	0,19	250	0,93
13	CTM130P9	50	0,20	250	1,01



**CTM\_0PT Straight, Polarized Male**

3.81 mm / .150" Pitch Weight per pole: 0.26 g

Poles	STD Code	Pcs/pack.	W [kg]*	Pcs/Ind.**	W [kg]*
02	CTM020PT	500	0,26	2000	1,04
03	CTM030PT	400	0,31	1750	1,37
04	CTM040PT	300	0,31	1500	1,56
05	CTM050PT	250	0,33	1500	1,95
06	CTM060PT	200	0,31	1250	1,95
07	CTM070PT	175	0,32	1250	2,28
08	CTM080PT	125	0,26	1000	2,08
09	CTM090PT	125	0,29	1000	2,34
10	CTM100PT	100	0,26	1000	2,60
11	CTM110PT	100	0,29	750	2,15
12	CTM120PT	75	0,23	750	2,34
13	CTM130PT	75	0,25	750	2,54
14	CTM140PT	100	0,36	750	2,73
15	CTM150PT	100	0,39	750	2,93
16	CTM160PT	100	0,42	750	3,12
17	CTM170PT	50	0,22	500	2,21
18	CTM180PT	50	0,23	500	2,34
19	CTM190PT	50	0,25	500	2,47
20	CTM200PT	50	0,26	500	2,60
21	CTM210PT	50	0,27	500	2,73
22	CTM220PT	50	0,29	500	2,86
23	CTM230PT	50	0,30	250	1,50
24	CTM240PT	50	0,31	250	1,56
25	CTM250PT	50	0,33	250	1,63



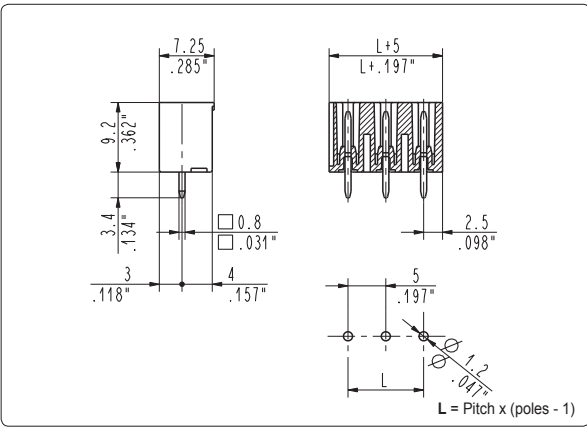
**CTM\_0P7 Straight, Polarized Male**

7.62 mm / .300" Pitch Weight per pole: 0.31 g

Poles	STD Code	Pcs/pack.	W [kg]*	Pcs/Ind.**	W [kg]*
02	CTM020P7	400	0,25	1750	1,09
03	CTM030P7	250	0,23	1500	1,40
04	CTM040P7	175	0,22	1250	1,55
05	CTM050P7	125	0,19	1000	1,55
06	CTM060P7	100	0,19	750	1,40
07	CTM070P7	100	0,22	750	1,63
08	CTM080P7	100	0,25	750	1,86
09	CTM090P7	50	0,14	500	1,40
10	CTM100P7	50	0,16	500	1,55
11	CTM110P7	50	0,17	500	1,71
12	CTM120P7	50	0,19	250	0,93
13	CTM130P7	50	0,20	250	1,01

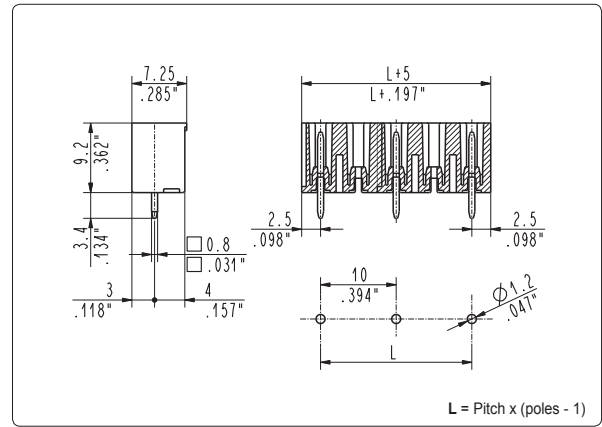
\*W [kg]: Approximate Weight per box in kg

\*\*Industrial packaging: add "-00000E" at standard code



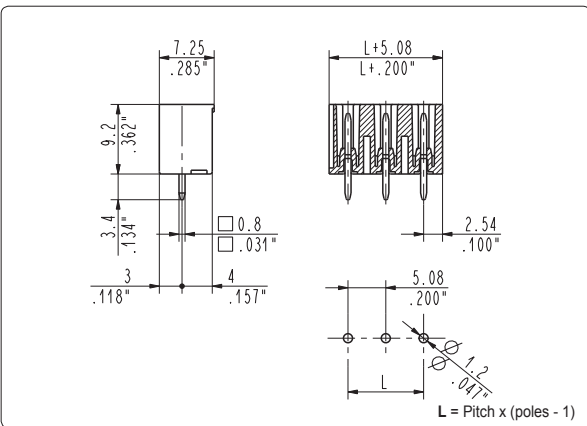
**CTM\_0P1** Straight, Polarized-Side Stackable Male

5 mm / .197" Pitch		Weight per pole: 0.29 g			
Poles	STD Code	Pcs/pack.	W [kg]*	Pcs/Ind.**	W [kg]*
02	CTM020P1	400	0,23	2000	1,16
03	CTM030P1	250	0,22	1750	1,52



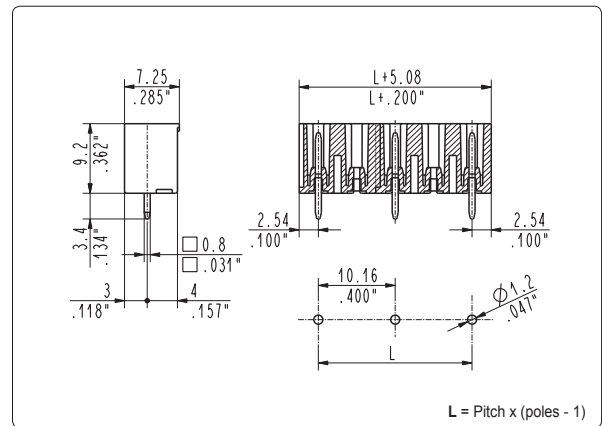
**CTM\_0P2** Straight, Polarized-Side Stackable Male

10 mm / .394" Pitch		Weight per pole: 0.34 g			
Poles	STD Code	Pcs/pack.	W [kg]*	Pcs/Ind.**	W [kg]*
01	CTM010P2	400	0,14	2000	0,68
02	CTM020P2	250	0,17	1750	1,19



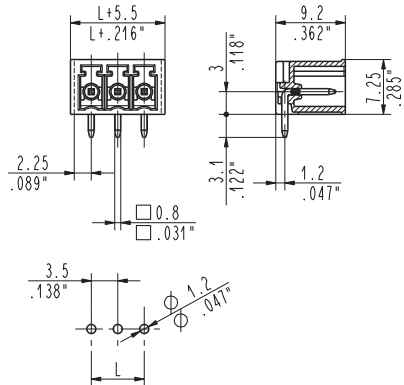
**CTM\_0P5** Straight, Polarized-Side Stackable Male

5.08 mm / .200" Pitch		Weight per pole: 0.29 g			
Poles	STD Code	Pcs/pack.	W [kg]*	Pcs/Ind.**	W [kg]*
02	CTM020P5	400	0,23	2000	1,16
03	CTM030P5	250	0,22	1750	1,52



**CTM\_0P6** Straight, Polarized-Side Stackable Male

10.16 mm / .400" Pitch		Weight per pole: 0.34 g			
Poles	STD Code	Pcs/pack.	W [kg]*	Pcs/Ind.**	W [kg]*
01	CTM010P6	400	0,14	2000	0,68
02	CTM020P6	250	0,17	1750	1,19



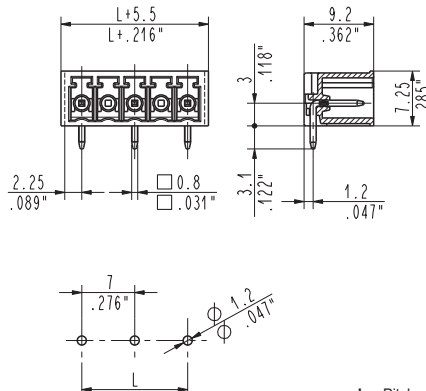
**CTM\_9P8**

**90°, Polarized Male**

3.5 mm / .138" Pitch

Weight per pole: 0.26 g

Poles	STD Code	Pcs/pack.	W [kg]*	Pcs/Ind.**	W [kg]*
02	CTM029P8	500	0,26	2000	1,04
03	CTM039P8	400	0,31	1750	1,37
04	CTM049P8	300	0,31	1500	1,56
05	CTM059P8	250	0,33	1500	1,95
06	CTM069P8	200	0,31	1250	1,95
07	CTM079P8	175	0,32	1250	2,28
08	CTM089P8	125	0,26	1000	2,08
09	CTM099P8	125	0,29	1000	2,34
10	CTM109P8	100	0,26	1000	2,60
11	CTM119P8	100	0,29	750	2,15
12	CTM129P8	75	0,23	750	2,34
13	CTM139P8	75	0,25	750	2,54
14	CTM149P8	100	0,36	750	2,73
15	CTM159P8	100	0,39	750	2,93
16	CTM169P8	100	0,42	750	3,12
17	CTM179P8	50	0,22	500	2,21
18	CTM189P8	50	0,23	500	2,34
19	CTM199P8	50	0,25	500	2,47
20	CTM209P8	50	0,26	500	2,60
21	CTM219P8	50	0,27	500	2,73
22	CTM229P8	50	0,29	500	2,86
23	CTM239P8	50	0,30	250	1,50
24	CTM249P8	50	0,31	250	1,56
25	CTM259P8	50	0,33	250	1,63



**CTM\_9P9**

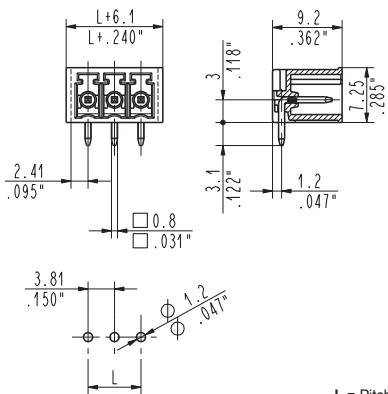
**90°, Polarized Male**

7 mm / .276" Pitch

Weight per pole: 0.31 g

Poles	STD Code	Pcs/pack.	W [kg]*	Pcs/Ind.**	W [kg]*
02	CTM029P9	400	0,25	1750	1,09
03	CTM039P9	250	0,23	1500	1,40
04	CTM049P9	175	0,22	1250	1,55
05	CTM059P9	125	0,19	1000	1,55
06	CTM069P9	100	0,19	750	1,40
07	CTM079P9	100	0,22	750	1,63
08	CTM089P9	100	0,25	750	1,86
09	CTM099P9	50	0,14	500	1,40
10	CTM109P9	50	0,16	500	1,55
11	CTM119P9	50	0,17	500	1,71
12	CTM129P9	50	0,19	250	0,93
13	CTM139P9	50	0,20	250	1,01

L = Pitch x (poles - 1)



**CTM\_9PT**

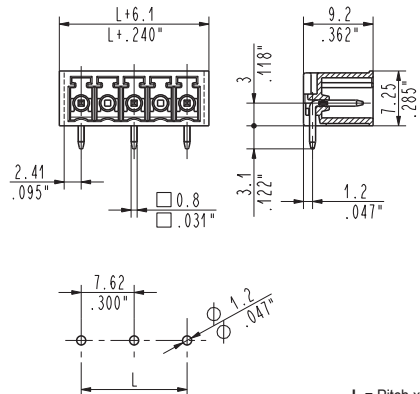
**90°, Polarized Male**

3.81 mm / .150" Pitch

Weight per pole: 0.26 g

Poles	STD Code	Pcs/pack.	W [kg]*	Pcs/Ind.**	W [kg]*
02	CTM029PT	500	0,26	2000	1,04
03	CTM039PT	400	0,31	1750	1,37
04	CTM049PT	300	0,31	1500	1,56
05	CTM059PT	250	0,33	1500	1,95
06	CTM069PT	200	0,31	1250	1,95
07	CTM079PT	175	0,32	1250	2,28
08	CTM089PT	125	0,26	1000	2,08
09	CTM099PT	125	0,29	1000	2,34
10	CTM109PT	100	0,26	1000	2,60
11	CTM119PT	100	0,29	750	2,15
12	CTM129PT	75	0,23	750	2,34
13	CTM139PT	75	0,25	750	2,54
14	CTM149PT	100	0,36	750	2,73
15	CTM159PT	100	0,39	750	2,93
16	CTM169PT	100	0,42	750	3,12
17	CTM179PT	50	0,22	500	2,21
18	CTM189PT	50	0,23	500	2,34
19	CTM199PT	50	0,25	500	2,47
20	CTM209PT	50	0,26	500	2,60
21	CTM219PT	50	0,27	500	2,73
22	CTM229PT	50	0,29	500	2,86
23	CTM239PT	50	0,30	250	1,50
24	CTM249PT	50	0,31	250	1,56
25	CTM259PT	50	0,33	250	1,63

L = Pitch x (poles - 1)



**CTM\_9P7**

**90°, Polarized Male**

7.62 mm / .300" Pitch

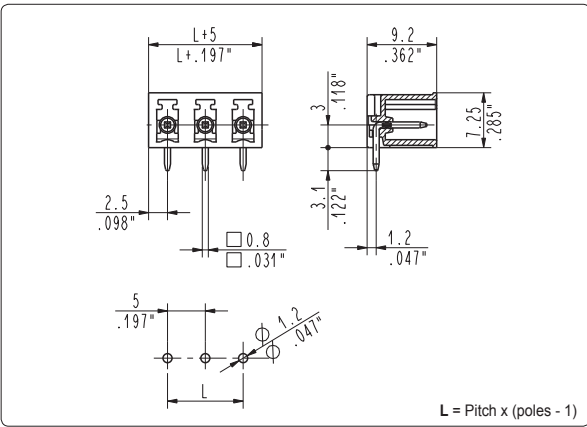
Weight per pole: 0.31 g

Poles	STD Code	Pcs/pack.	W [kg]*	Pcs/Ind.**	W [kg]*
02	CTM029P7	400	0,25	1750	1,09
03	CTM039P7	250	0,23	1500	1,40
04	CTM049P7	175	0,22	1250	1,55
05	CTM059P7	125	0,19	1000	1,55
06	CTM069P7	100	0,19	750	1,40
07	CTM079P7	100	0,22	750	1,63
08	CTM089P7	100	0,25	750	1,86
09	CTM099P7	50	0,14	500	1,40
10	CTM109P7	50	0,16	500	1,55
11	CTM119P7	50	0,17	500	1,71
12	CTM129P7	50	0,19	250	0,93
13	CTM139P7	50	0,20	250	1,01

L = Pitch x (poles - 1)

\*W [kg]: Approximate Weight per box in kg

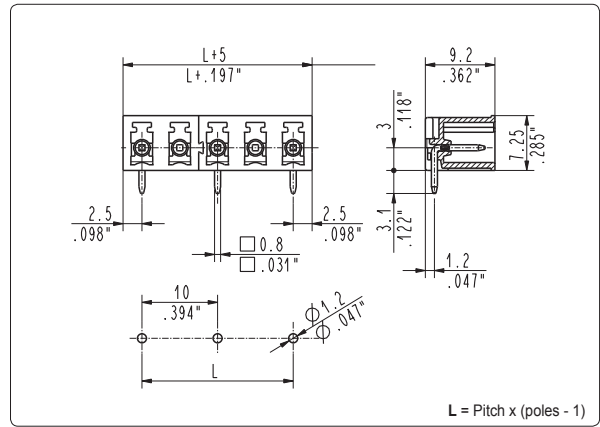
\*\*Industrial packaging: add "-00000E" at standard code



L = Pitch x (poles - 1)

**CTM\_9P1 90°, Polarized-Side Stackable Male**

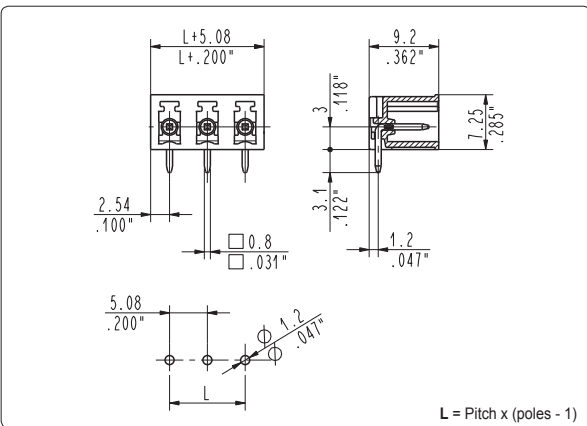
5 mm / .197" Pitch			Weight per pole: 0.29 g		
Poles	STD Code	Pcs/pack.	W [kg]*	Pcs/Ind.**	W [kg]*
02	CTM029P1	400	0,23	2000	1,16
03	CTM039P1	250	0,22	1750	1,52



L = Pitch x (poles - 1)

**CTM\_9P2 90°, Polarized-Side Stackable Male**

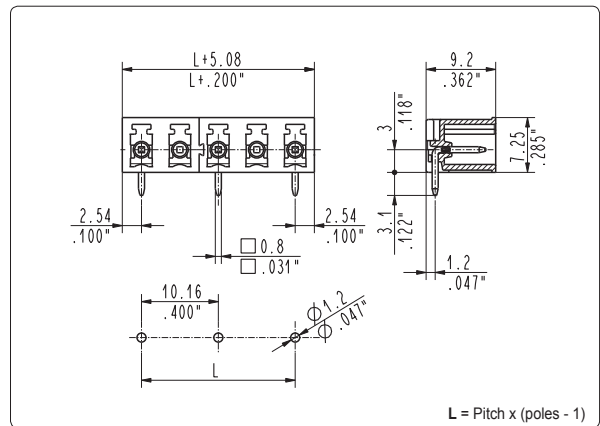
10 mm / .394" Pitch			Weight per pole: 0.34 g		
Poles	STD Code	Pcs/pack.	W [kg]*	Pcs/Ind.**	W [kg]*
01	CTM019P2	400	0,14	2000	0,68
02	CTM029P2	250	0,17	1750	1,19



L = Pitch x (poles - 1)

**CTM\_9P5 90°, Polarized-Side Stackable Male**

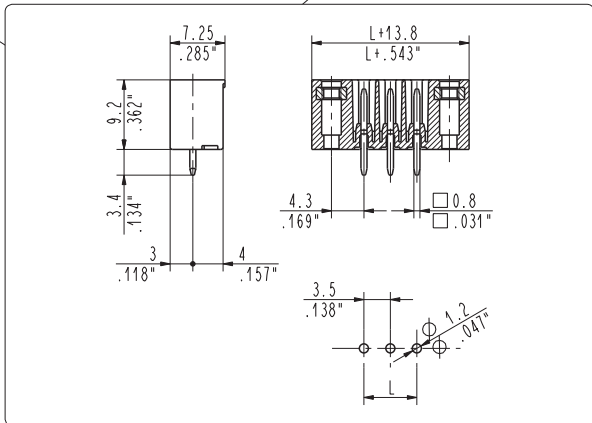
5.08 mm / .200" Pitch			Weight per pole: 0.29 g		
Poles	STD Code	Pcs/pack.	W [kg]*	Pcs/Ind.**	W [kg]*
02	CTM029P5	400	0,23	2000	1,16
03	CTM039P5	250	0,22	1750	1,52



L = Pitch x (poles - 1)

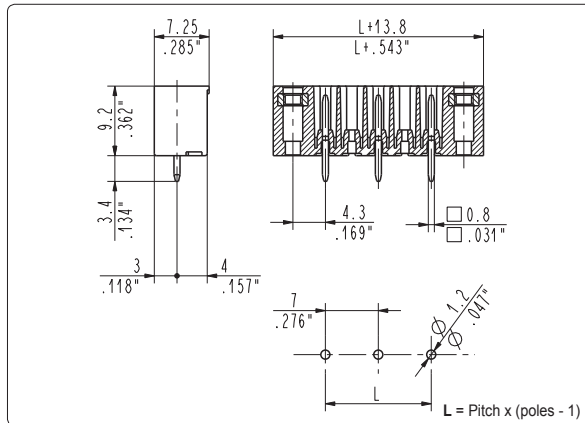
**CTM\_9P6 90°, Polarized-Side Stackable Male**

10.16 mm / .400" Pitch			Weight per pole: 0.34 g		
Poles	STD Code	Pcs/pack.	W [kg]*	Pcs/Ind.**	W [kg]*
01	CTM019P6	400	0,14	2000	0,68
02	CTM029P6	250	0,17	1750	1,19



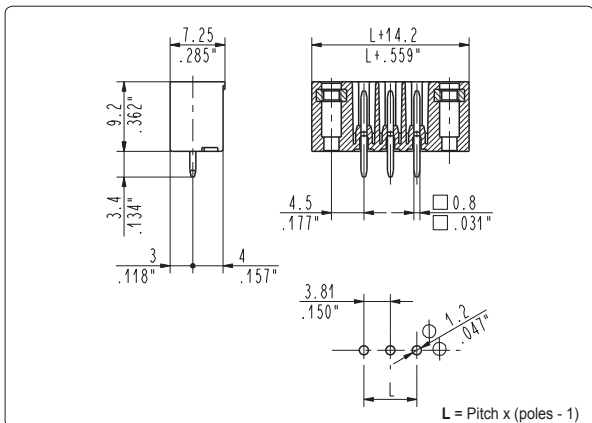
**CTM\_0V8 Straight, Locking Screw Flanges Male**

3.5 mm / .138" Pitch		Weight per pole: 0.52 g			
Poles	STD Code	Pcs/pack.	W [kg]*	Pcs/Ind.**	W [kg]*
02	CTM020V8	250	0,26	1250	1,30
03	CTM030V8	200	0,31	1000	1,56
04	CTM040V8	175	0,36	1000	2,08
05	CTM050V8	150	0,39	750	1,95
06	CTM060V8	125	0,39	750	2,34
07	CTM070V8	100	0,36	500	1,82
08	CTM080V8	100	0,42	500	2,08
09	CTM090V8	75	0,35	500	2,34
10	CTM100V8	75	0,39	500	2,60
11	CTM110V8	75	0,43	500	2,86
12	CTM120V8	75	0,47	500	3,12
13	CTM130V8	75	0,51	250	1,69
14	CTM140V8	50	0,36	250	1,82
15	CTM150V8	50	0,39	250	1,95
16	CTM160V8	50	0,42	250	2,08
17	CTM170V8	50	0,44	250	2,21
18	CTM180V8	50	0,47	250	2,34
19	CTM190V8	50	0,49	250	2,47
20	CTM200V8	50	0,52	250	2,60
21	CTM210V8	50	0,55	250	2,73
22	CTM220V8	50	0,57	250	2,86
23	CTM230V8	50	0,60	250	2,99



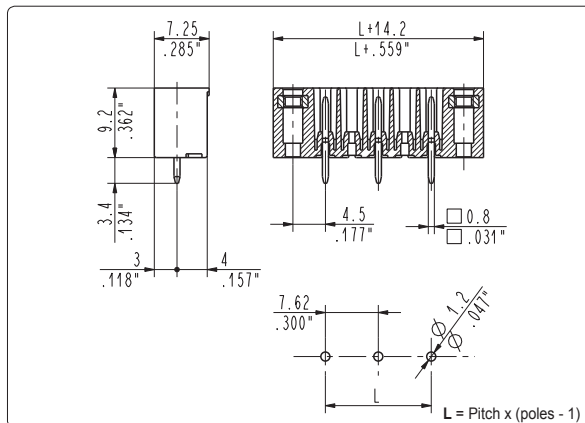
**CTM\_0V9 Straight, Locking Screw Flanges Male**

7 mm / .276" Pitch		Weight per pole: 0.55 g			
Poles	STD Code	Pcs/pack.	W [kg]*	Pcs/Ind.**	W [kg]*
02	CTM020V9	200	0,22	1000	1,10
03	CTM030V9	150	0,25	750	1,24
04	CTM040V9	100	0,22	500	1,10
05	CTM050V9	75	0,21	500	1,38
06	CTM060V9	75	0,25	500	1,65
07	CTM070V9	75	0,29	250	0,96
08	CTM080V9	50	0,22	250	1,10
09	CTM090V9	50	0,25	250	1,24
10	CTM100V9	50	0,28	250	1,38
11	CTM110V9	50	0,30	250	1,51
12	CTM120V9	50	0,33	250	1,65



**CTM\_0VT Straight, Locking Screw Flanges Male**

3.81 mm / .150" Pitch		Weight per pole: 0.52 g			
Poles	STD Code	Pcs/pack.	W [kg]*	Pcs/Ind.**	W [kg]*
02	CTM020VT	250	0,26	1250	1,30
03	CTM030VT	200	0,31	1000	1,56
04	CTM040VT	175	0,36	1000	2,08
05	CTM050VT	150	0,39	750	1,95
06	CTM060VT	125	0,39	750	2,34
07	CTM070VT	100	0,36	500	1,82
08	CTM080VT	100	0,42	500	2,08
09	CTM090VT	75	0,35	500	2,34
10	CTM100VT	75	0,39	500	2,60
11	CTM110VT	75	0,43	500	2,86
12	CTM120VT	75	0,47	500	3,12
13	CTM130VT	75	0,51	250	1,69
14	CTM140VT	50	0,36	250	1,82
15	CTM150VT	50	0,39	250	1,95
16	CTM160VT	50	0,42	250	2,08
17	CTM170VT	50	0,44	250	2,21
18	CTM180VT	50	0,47	250	2,34
19	CTM190VT	50	0,49	250	2,47
20	CTM200VT	50	0,52	250	2,60
21	CTM210VT	50	0,55	250	2,73
22	CTM220VT	50	0,57	250	2,86
23	CTM230VT	50	0,60	250	2,99

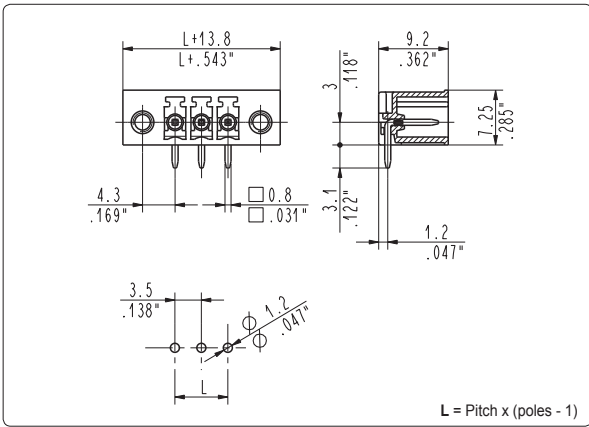


**CTM\_0V7 Straight, Locking Screw Flanges Male**

7.62 mm / .300" Pitch		Weight per pole: 0.55 g			
Poles	STD Code	Pcs/pack.	W [kg]*	Pcs/Ind.**	W [kg]*
02	CTM020V7	200	0,22	1000	1,10
03	CTM030V7	150	0,25	750	1,24
04	CTM040V7	100	0,22	500	1,10
05	CTM050V7	75	0,21	500	1,38
06	CTM060V7	75	0,25	500	1,65
07	CTM070V7	75	0,29	250	0,96
08	CTM080V7	50	0,22	250	1,10
09	CTM090V7	50	0,25	250	1,24
10	CTM100V7	50	0,28	250	1,38
11	CTM110V7	50	0,30	250	1,51
12	CTM120V7	50	0,33	250	1,65

\*W [kg]: Approximate Weight per box in kg

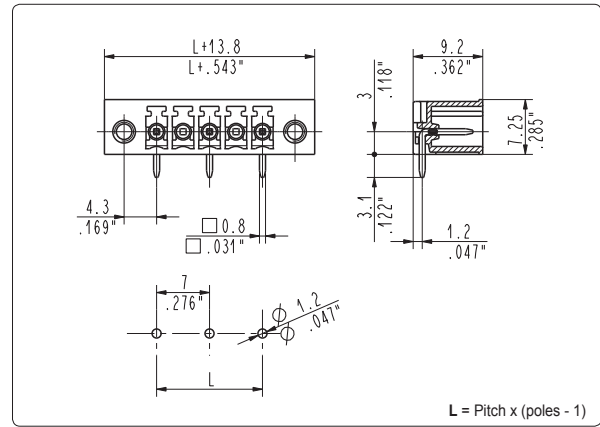
\*\*Industrial packaging: add "-00000E" at standard code



L = Pitch x (poles - 1)

**CTM\_9V8 90°, Locking Screw Flanges Male**

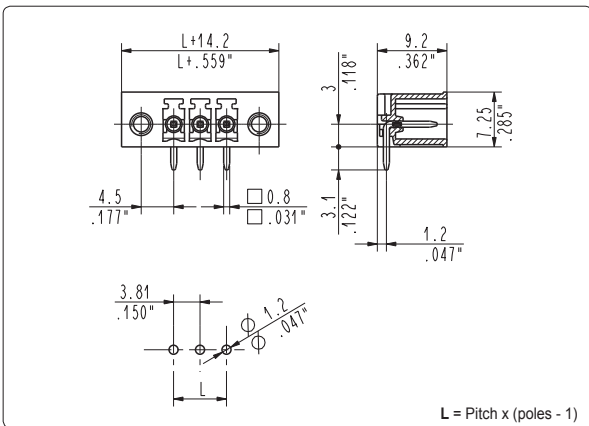
3.5 mm / .138" Pitch		Weight per pole: 0.52 g			
Poles	STD Code	Pcs/pack.	W [kg]*	Pcs/Ind.**	W [kg]*
02	CTM029V8	250	0,26	1250	1,30
03	CTM039V8	200	0,31	1000	1,56
04	CTM049V8	175	0,36	1000	2,08
05	CTM059V8	150	0,39	750	1,95
06	CTM069V8	125	0,39	750	2,34
07	CTM079V8	100	0,36	500	1,82
08	CTM089V8	100	0,42	500	2,08
09	CTM099V8	75	0,35	500	2,34
10	CTM109V8	75	0,39	500	2,60
11	CTM119V8	75	0,43	500	2,86
12	CTM129V8	75	0,47	500	3,12
13	CTM139V8	75	0,51	250	1,69
14	CTM149V8	50	0,36	250	1,82
15	CTM159V8	50	0,39	250	1,95
16	CTM169V8	50	0,42	250	2,08
17	CTM179V8	50	0,44	250	2,21
18	CTM189V8	50	0,47	250	2,34
19	CTM199V8	50	0,49	250	2,47
20	CTM209V8	50	0,52	250	2,60
21	CTM219V8	50	0,55	250	2,73
22	CTM229V8	50	0,57	250	2,86
23	CTM239V8	50	0,60	250	2,99



L = Pitch x (poles - 1)

**CTM\_9V9 90°, Locking Screw Flanges Male**

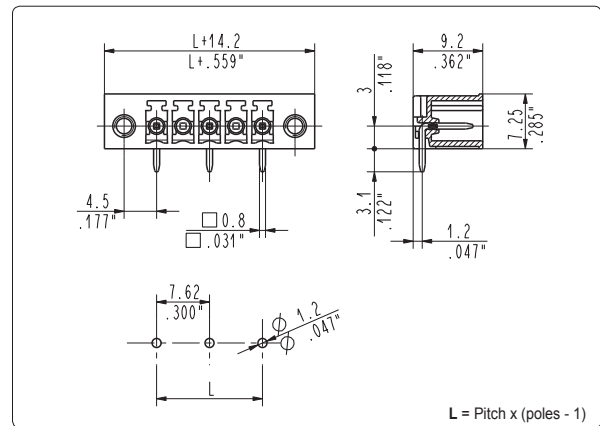
7 mm / .276" Pitch		Weight per pole: 0.55 g			
Poles	STD Code	Pcs/pack.	W [kg]*	Pcs/Ind.**	W [kg]*
02	CTM029V9	200	0,22	1000	1,10
03	CTM039V9	150	0,25	750	1,24
04	CTM049V9	100	0,22	500	1,10
05	CTM059V9	75	0,21	500	1,38
06	CTM069V9	75	0,25	500	1,65
07	CTM079V9	75	0,29	250	0,96
08	CTM089V9	50	0,22	250	1,10
09	CTM099V9	50	0,25	250	1,24
10	CTM109V9	50	0,28	250	1,38
11	CTM119V9	50	0,30	250	1,51
12	CTM129V9	50	0,33	250	1,65



L = Pitch x (poles - 1)

**CTM\_9VT 90°, Locking Screw Flanges Male**

3.81 mm / .150" Pitch		Weight per pole: 0.52 g			
Poles	STD Code	Pcs/pack.	W [kg]*	Pcs/Ind.**	W [kg]*
02	CTM029VT	250	0,26	1250	1,30
03	CTM039VT	200	0,31	1000	1,56
04	CTM049VT	175	0,36	1000	2,08
05	CTM059VT	150	0,39	750	1,95
06	CTM069VT	125	0,39	750	2,34
07	CTM079VT	100	0,36	500	1,82
08	CTM089VT	100	0,42	500	2,08
09	CTM099VT	75	0,35	500	2,34
10	CTM109VT	75	0,39	500	2,60
11	CTM119VT	75	0,43	500	2,86
12	CTM129VT	75	0,47	500	3,12
13	CTM139VT	75	0,51	250	1,69
14	CTM149VT	50	0,36	250	1,82
15	CTM159VT	50	0,39	250	1,95
16	CTM169VT	50	0,42	250	2,08
17	CTM179VT	50	0,44	250	2,21
18	CTM189VT	50	0,47	250	2,34
19	CTM199VT	50	0,49	250	2,47
20	CTM209VT	50	0,52	250	2,60
21	CTM219VT	50	0,55	250	2,73
22	CTM229VT	50	0,57	250	2,86
23	CTM239VT	50	0,60	250	2,99

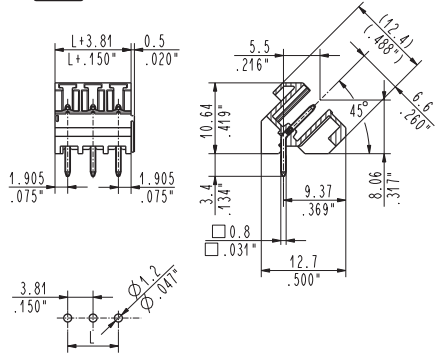


L = Pitch x (poles - 1)

**CTM\_9V7 90°, Locking Screw Flanges Male**

7.62 mm / .300" Pitch		Weight per pole: 0.55 g			
Poles	STD Code	Pcs/pack.	W [kg]*	Pcs/Ind.**	W [kg]*
02	CTM029V7	200	0,22	1000	1,10
03	CTM039V7	150	0,25	750	1,24
04	CTM049V7	100	0,22	500	1,10
05	CTM059V7	75	0,21	500	1,38
06	CTM069V7	75	0,25	500	1,65
07	CTM079V7	75	0,29	250	0,96
08	CTM089V7	50	0,22	250	1,10
09	CTM099V7	50	0,25	250	1,24
10	CTM109V7	50	0,28	250	1,38
11	CTM119V7	50	0,30	250	1,51
12	CTM129V7	50	0,33	250	1,65

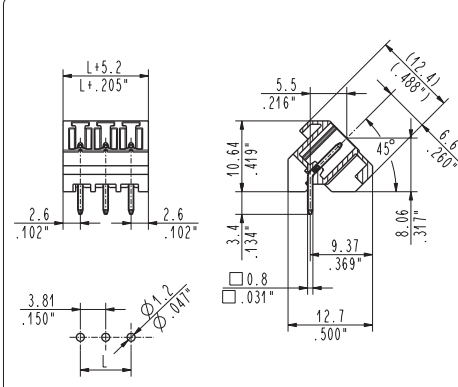
**(M) Pat.**



**CTM\_4MT 45°, Modular Male**

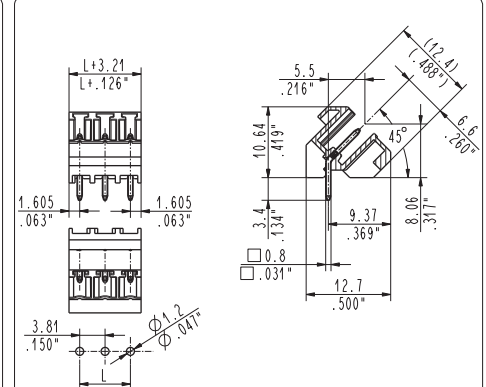
3.81 mm / .150" Pitch		Weight per pole: 0.21 g			
Poles	STD Code	Pcs/pack.	W [kg]*	Pcs/Ind.**	W [kg]*
02	CTM024MT	500	0,21	2000	0,84
03	CTM034MT	400	0,25	1750	1,10
04	CTM044MT	300	0,25	1500	1,26
05	CTM054MT	250	0,26	1500	1,58
06	CTM064MT	200	0,25	1250	1,58

max 12 poles can be combined



**CTM\_4PT 45°, Polarized Male**

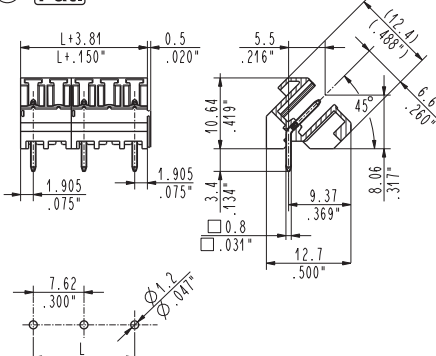
3.81 mm / .150" Pitch		Weight per pole: 0.26 g			
Poles	STD Code	Pcs/pack.	W [kg]*	Pcs/Ind.**	W [kg]*
02	CTM024PT	500	0,26	2000	1,04
03	CTM034PT	400	0,31	1750	1,37
04	CTM044PT	300	0,31	1500	1,56
05	CTM054PT	250	0,33	1500	1,95
06	CTM064PT	200	0,31	1250	1,95



**CTM\_4AT 45°, Side Stackable Male**

3.81 mm / .150" Pitch		Weight per pole: 0.21 g			
Poles	STD Code	Pcs/pack.	W [kg]*	Pcs/Ind.**	W [kg]*
02	CTM024AT	500	0,21	2000	0,84
03	CTM034AT	400	0,25	1750	1,10
04	CTM044AT	300	0,25	1500	1,26
05	CTM054AT	250	0,26	1500	1,58
06	CTM064AT	200	0,25	1250	1,58

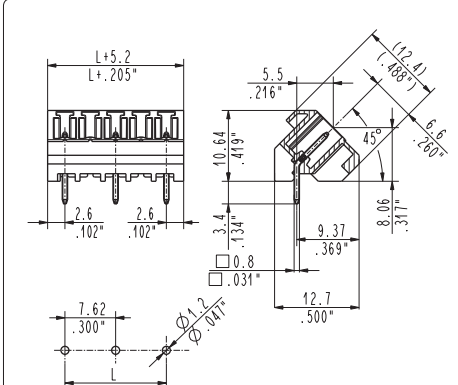
**(M) Pat.**



**CTM\_4M7 45°, Modular Male**

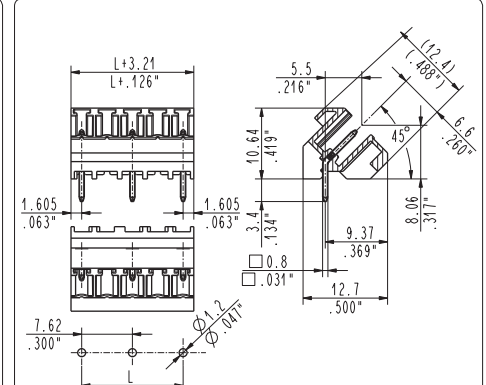
7.62 mm / .300" Pitch		Weight per pole: 0.26 g			
Poles	STD Code	Pcs/pack.	W [kg]*	Pcs/Ind.**	W [kg]*
01	CTM014M7	500	0,13	2000	0,52
02	CTM024M7	400	0,21	1750	0,91
03	CTM034M7	250	0,20	1500	1,17

max 6 poles can be combined



**CTM\_4P7 45°, Polarized Male**

7.62 mm / .300" Pitch		Weight per pole: 0.31 g			
Poles	STD Code	Pcs/pack.	W [kg]*	Pcs/Ind.**	W [kg]*
02	CTM024P7	400	0,25	1750	1,09
03	CTM034P7	250	0,23	1500	1,40

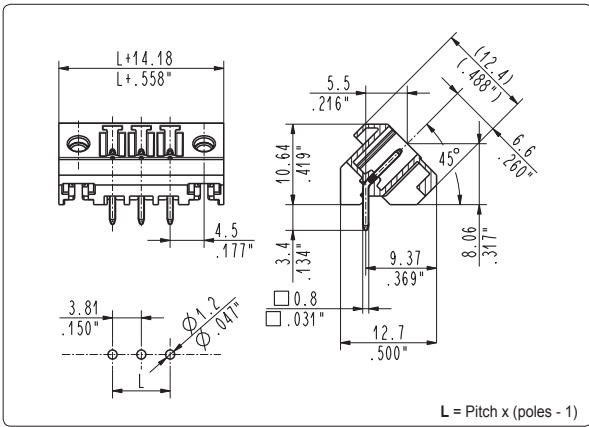


**CTM\_4A7 45°, Side Stackable Male**

7.62 mm / .300" Pitch		Weight per pole: 0.26 g			
Poles	STD Code	Pcs/pack.	W [kg]*	Pcs/Ind.**	W [kg]*
02	CTM024A7	400	0,21	1750	0,91
03	CTM034A7	250	0,20	1500	1,17

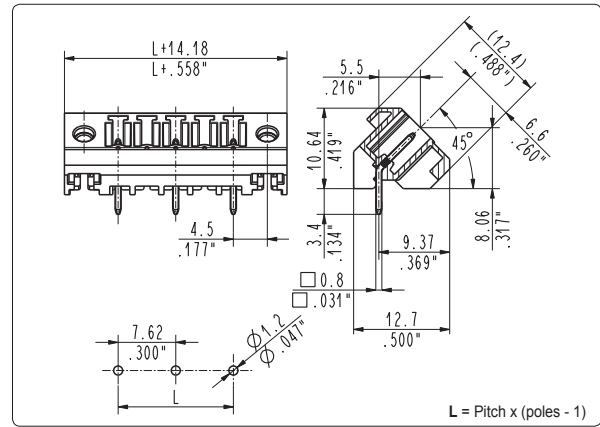
\*W [kg]: Approximate Weight per box in kg

\*\*Industrial packaging: add "-00000E" at standard code



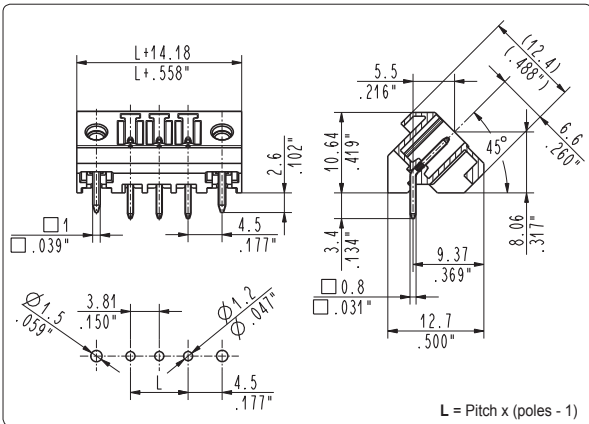
**CTM\_4VT 45°, Locking Screw Flanges Male**

3.81 mm / .150" Pitch			Weight per pole: 0.52 g		
Poles	STD Code	Pcs/pack.	W [kg]*	Pcs/Ind.**	W [kg]*
02	CTM024VT	250	0,26	1250	1,30
03	CTM034VT	200	0,31	1000	1,56
04	CTM044VT	175	0,36	750	1,56
05	CTM054VT	150	0,39	750	1,95
06	CTM064VT	125	0,39	750	2,34



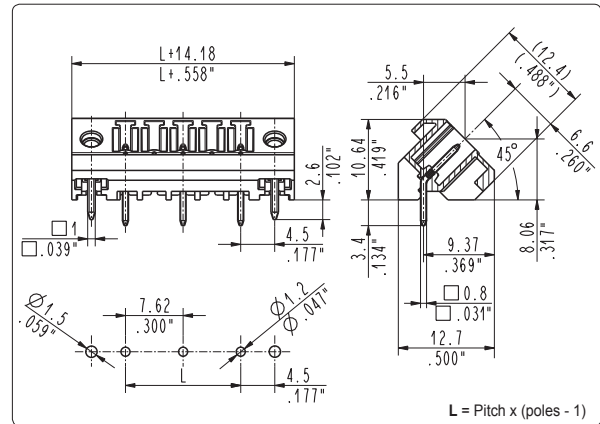
**CTM\_4V7 45°, Locking Screw Flanges Male**

7.62 mm / .300" Pitch			Weight per pole: 0.55 g		
Poles	STD Code	Pcs/pack.	W [kg]*	Pcs/Ind.**	W [kg]*
02	CTM024V7	200	0,22	1000	1,10
03	CTM034V7	150	0,25	750	1,24



**CTM\_4FT 45°, Locking Screw Flanges & Pin Male**

3.81 mm / .150" Pitch			Weight per pole: 0.60 g		
Poles	STD Code	Pcs/pack.	W [kg]*	Pcs/Ind.**	W [kg]*
02	CTM024FT	250	0,30	1250	1,50
03	CTM034FT	200	0,36	1000	1,80
04	CTM044FT	175	0,42	750	1,80
05	CTM054FT	150	0,45	750	2,25
06	CTM064FT	125	0,45	750	2,70



**CTM\_4F7 45°, Locking Screw Flanges & Pin Male**

7.62 mm / .300" Pitch			Weight per pole: 0.63 g		
Poles	STD Code	Pcs/pack.	W [kg]*	Pcs/Ind.**	W [kg]*
02	CTM024F7	200	0,24	1000	1,20
03	CTM034F7	150	0,27	750	1,35