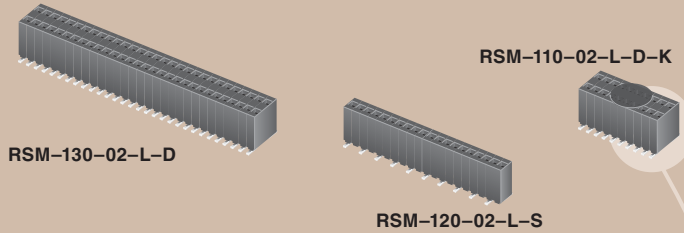


(1,27mm) .050"

RSM SERIES



SMT MICRO SOCKET

SPECIFICATIONS

For complete specifications and recommended PCB layouts see www.samtec.com?RSM

Insulator Material:

Black Liquid Crystal Polymer



Contact Material:

Phosphor Bronze



Plating:

Au, or Sn over 50µ" (1,27µm) Ni

Current Rating:

1A

Operating Temp Range:

-55°C to +125°C

Contact Resistance:

10 mΩ max

Lead Size Accepted:

(0,46mm) .018" SQ

Insertion Depth:

Top Entry = (2,64mm) .104"

to (5,84mm) .230" with (0,38mm) .015" wipe, or pass-through.

Bottom Entry = (5,49mm) .216" minimum (Add board thickness for correct post OAL)

Insertion Force:

(Single contact only) 3.5oz (0,97N) avg.

Withdrawal Force:

(Single contact only) 1.5oz (0,42N) avg.

RoHS Compliant:

Yes

Processing:

Max Processing Temp:

230°C for 60 seconds, or 260°C for 20 seconds 3x

Lead-Free Solderable:

Yes

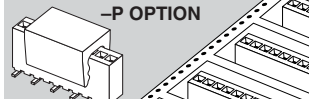
SMT Lead Coplanarity:

(0,10mm) .004" max

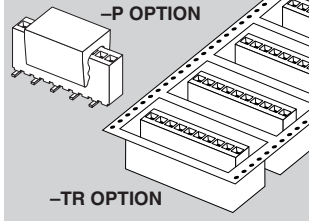
Mates with:
FTR, HTMS, HDWM, DWM, TML, ZML, TMS

OPTIONS

-P OPTION



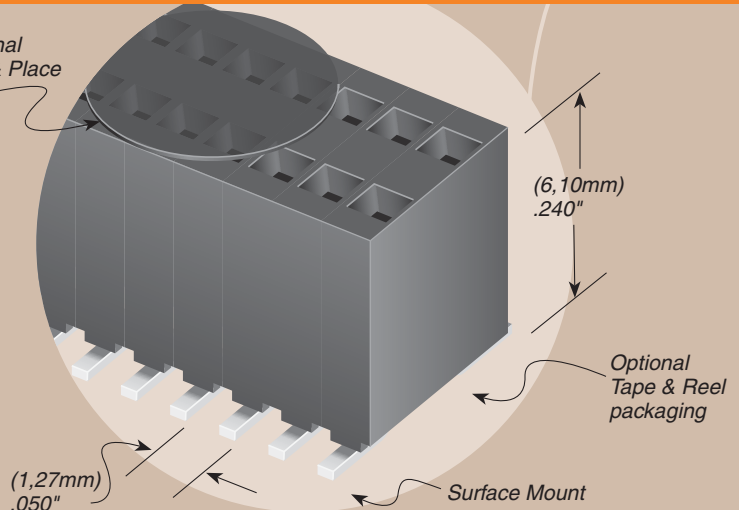
-TR OPTION



APPLICATION SPECIFIC OPTION

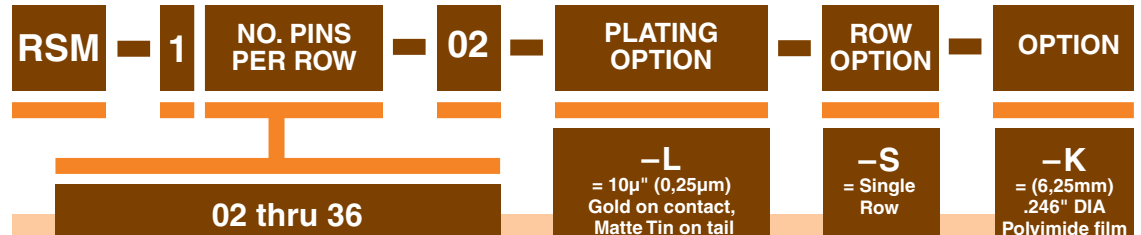
Locking clips available. Call Samtec.

Optional Pick & Place Pad



Optional Tape & Reel packaging

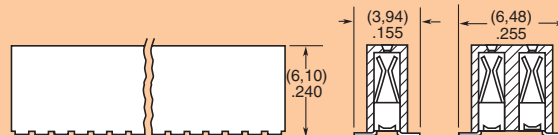
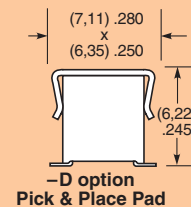
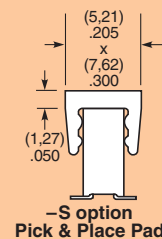
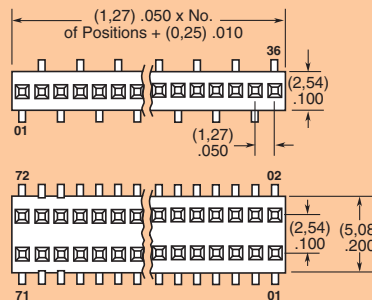
Surface Mount



TAPE & REEL AVAILABILITY

No tooling charges.
Minimum order is the lesser of a full reel quantity or 125 pieces.
Order any quantity above minimum.
In-house design, manufacture.
Quick turn-around.

Call Samtec for specifications and ordering information.



Note: Other Gold plating options available. Contact Samtec.

Note: Some sizes, styles and options are non-standard, non-returnable.

Due to technical progress, all designs, specifications and components are subject to change without notice.

WWW.SAMTEC.COM